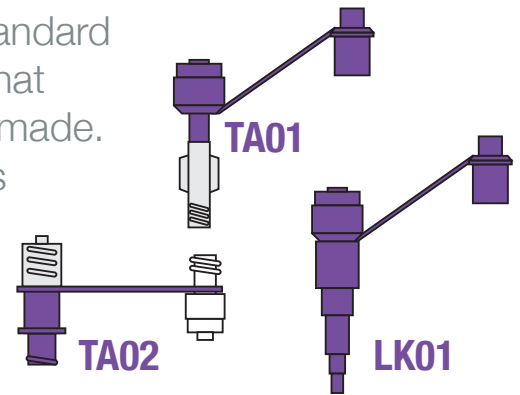


How to use the Medicina transition adapters

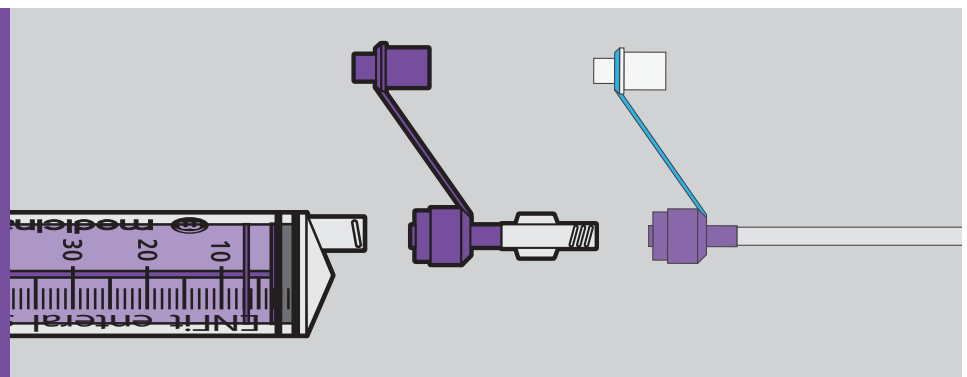
During the transition to the new ENFit® enteral ISO standard there will be a need for adapters. These will ensure that connections between old and new products can be made. They will also allow stock of current feeding products to be used up, avoiding waste.

The 3 transition adapters available in the UK are:



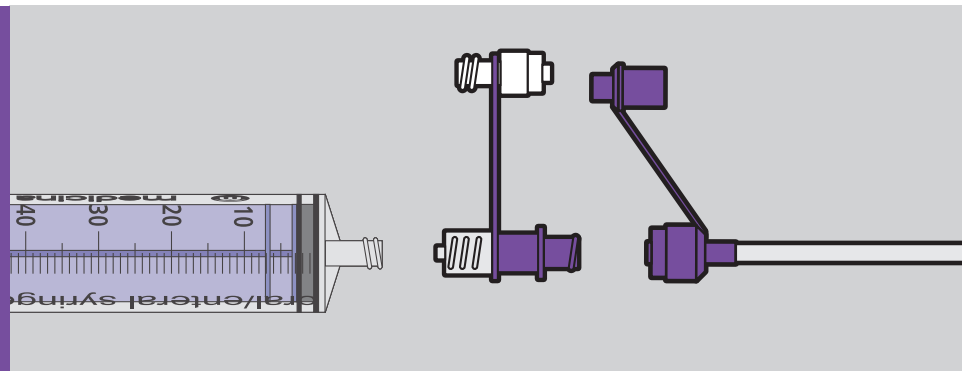
TA01

connects a male Luer NG tube to an ENFit® feeding syringe or set



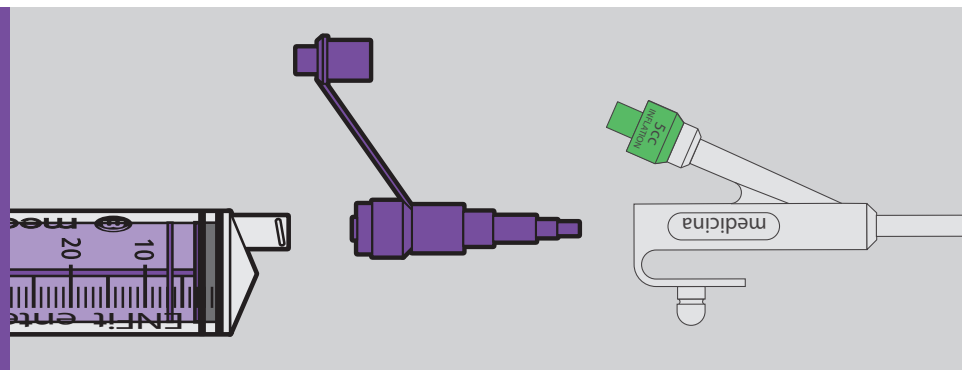
TA02

connects an ENFit® NG tube to reverse female enteral feeding syringe or set



LK01

connects a funnel type feeding tube to an ENFit® feeding syringe or set



If you have any concerns or questions please contact Medicina customer services on 01204 695050 or email: info@medicina.co.uk

